

## Vehicle: All Technical Service Bulletins

### Exhaust Manifold Bolt Usage

File In Section: 6 - Engine

Bulletin No.: 47-66-03

Date: September, 1994

#### INFORMATION

Subject:

Exhaust Manifold Bolt Usage

Models:

1994 Buick Roadmaster

1994 Cadillac Fleetwood with 5.7L Engine (VIN P - RPO LT1)

1994 Chevrolet Caprice, Impala with 4.3L or 5.7L Engines (VINs P, W - RPOs LT1, L99)

Vehicles built before the VIN breakpoints may have exhaust manifold bolts that bottomed out during assembly.

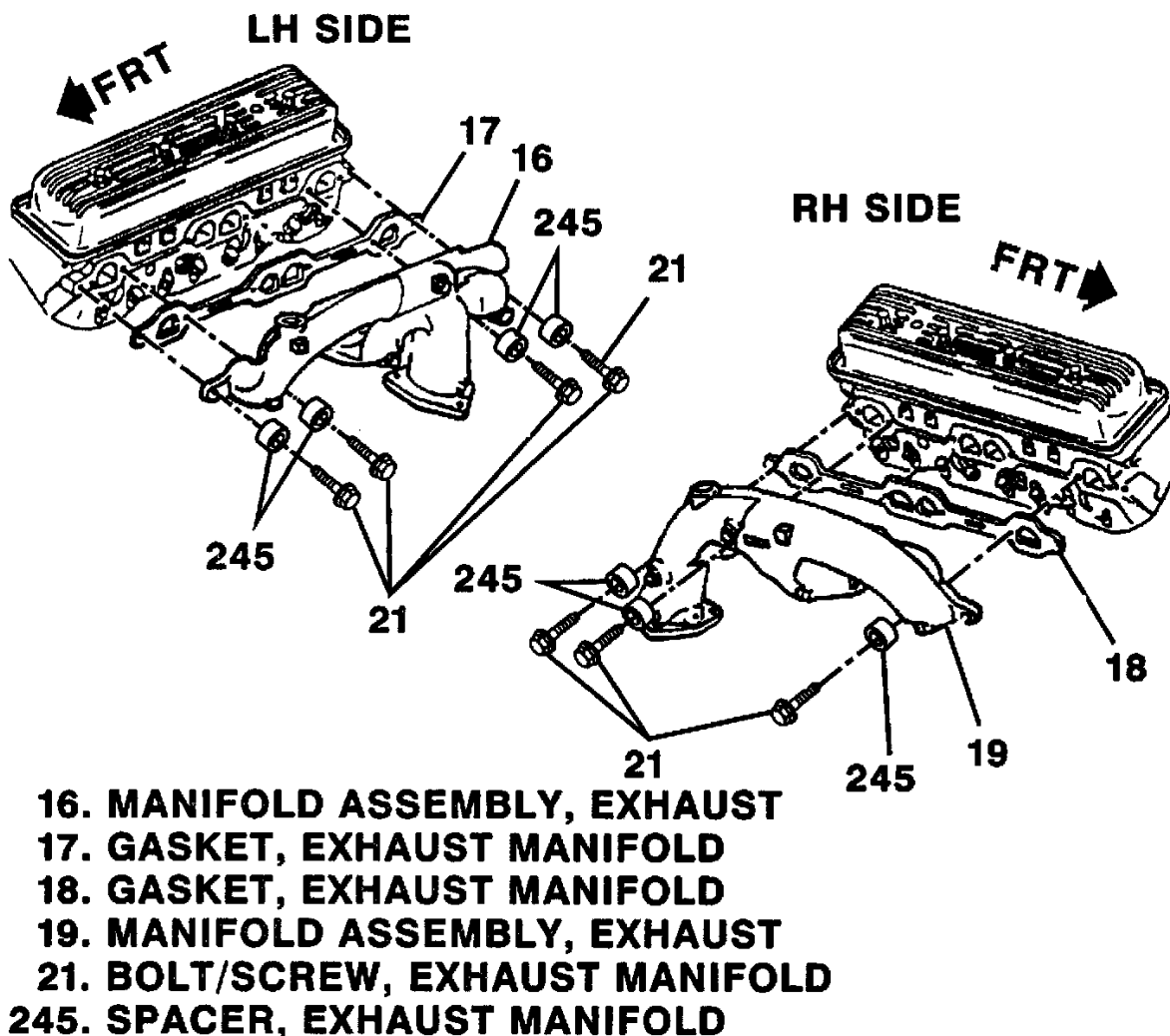


Figure 1

During any exhaust manifold service to the vehicles listed, install bolt 15538420 at locations 21, as indicated in the figure. At all other locations, install the standard replacement bolts. Apply a 1/8 inch bead of GM adhesive 12345493 to the bolt threads before reassembly.

Part Information:

Description

Part Number

|                       |          |
|-----------------------|----------|
| Exhaust Manifold Bolt | 15538420 |
| Adhesive              | 12345493 |

Parts are currently available from GMSPO.

Warranty Information:

| Labor Operation | Labor Time |
|-----------------|------------|
| T2540           | 0.9 Hour   |